

D1130RW906D.ALWE000



- Energy savings up to 69% (11W for CFL 18W x2)
- Slim and minimal design for seamless ceiling
- 0-10V dimming (Optional: Motion sensor, ZigBee / DALI protocol)
- Application
 - Offices, Schools, Auditorium

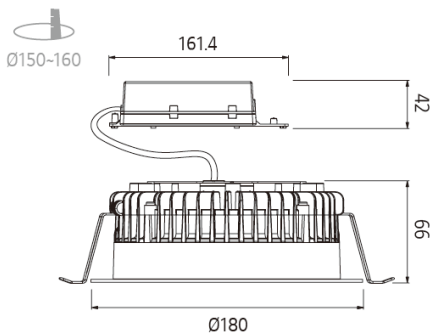
Specification



Type	LED Downlight	Beam angle (°)	100
Equivalent to (W)	CFL 18W x2	Color temperature (K)	3,000
Wattage (W)	11	Color rendering index (Ra)	82
Lumen output (lm)	1,000	Operating temperature (°C)	-20 ~ +40
Efficacy (lm/W)	91	Average lifetime (hrs)	50,000 (L80B10)
Voltage (V AC)	220 ~ 240	Dimensions (D x H, mm)	Ø180 x 66
Frequency (Hz)	50/60	Cutting hole (D, mm)	Ø155 ± 5
Input current (mA)	Max. 60	Weight (kg)	0.73
Power factor	> 0.9	IP Level	44
THD (%)	< 18	Glow wire test (°C)	850
Surge Protection (kV)	< 0.5	Dimmable (Optional)	0-10V (DALI/ZigBee)
		Certification	CE, ENEC

※ Specifications are subject to change without notice

Dimensions



Photometric Data

